



**Fax: (03) 9583 8219**

**P.O. Box 2539 Cheltenham Vic 3192**

**[www.lockagencies.com.au](http://www.lockagencies.com.au)**

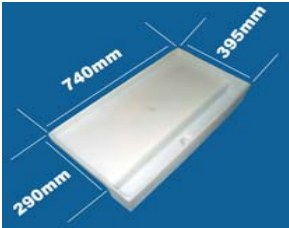
**[info@lockagencies.com.au](mailto:info@lockagencies.com.au)**

**Cutting Board price List**


**PAUL MOBILE 0418 364 259**

Picture	Part #	Description	Qty.					
---------	--------	-------------	------	--	--	--	--	--


**Large Cutting Board Only**

	LA8035	Large Cutting Board only  Measurements: 740mm wide, 290mm long board, 105mm wide trough.	Ea					\$32.39
---	--------	--	----	--	--	--	--	---------

**Large Cutting board adjustable 32mm alloy mounts including taper spacers.**





	LA8036	Large cutting board White in colour Stainless steel mounting bracket included 32mm fixed alloy posts with taper spacers  Board measurements 740mm x 395mm x 290mm	Ea					\$174.57
--	--------	--	----	--	--	--	--	----------

**Large Cutting board self drilled 32mm alloy mounts including taper spacers.**


	LA8037	Large cutting board White in colour 32mm fixed alloy posts with taper spacers  Board measurements 740mm x 395mm x 290mm	Ea					\$134.51
--	--------	---	----	--	--	--	--	----------




Picture	Part #	Description	Qty.					
---------	--------	-------------	------	--	--	--	--	--

**Medium deluxe cutting board**

	LA8050	Deluxe cutting board only with no rod holders	Ea						\$100.68
	<div style="display: flex; justify-content: space-around;">    </div>								

**Medium deluxe cutting board**

		Deluxe cutting board. Features include: drink holders,							
	LA8052	Complete with 32mm Alloy Legs. No rod holders	Ea						\$181.53

Picture	Part #	Description	Qty.					
	LA8054	Deluxe cutting board. Features include: drink holders,  380mm trough, Plastic lid with hinges, Rear trough.  Complete with 38mm, 600mm long stainless Legs. No  rod holders.	Ea					<b>\$200.82</b>
 	LA8056	Medium sized deluxe cutting board. Features include:  drink holders, 380mm trough, Plastic lid with hinges,  Rear trough. Complete with 50mm alloy leg. No rod  holders	Ea					<b>\$152.79</b>